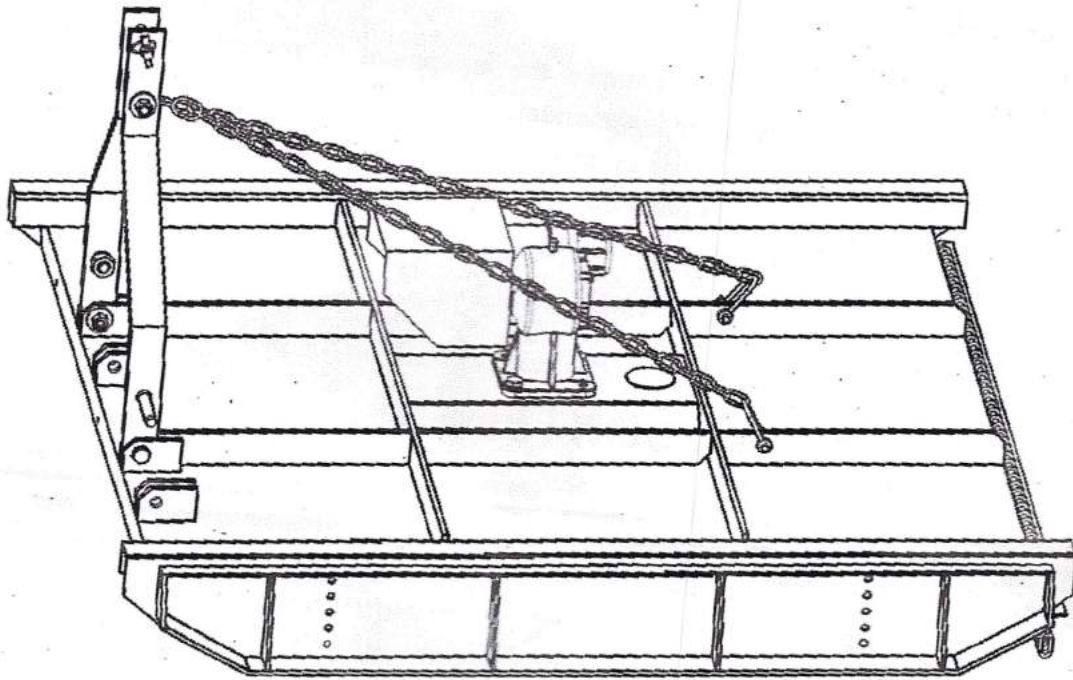


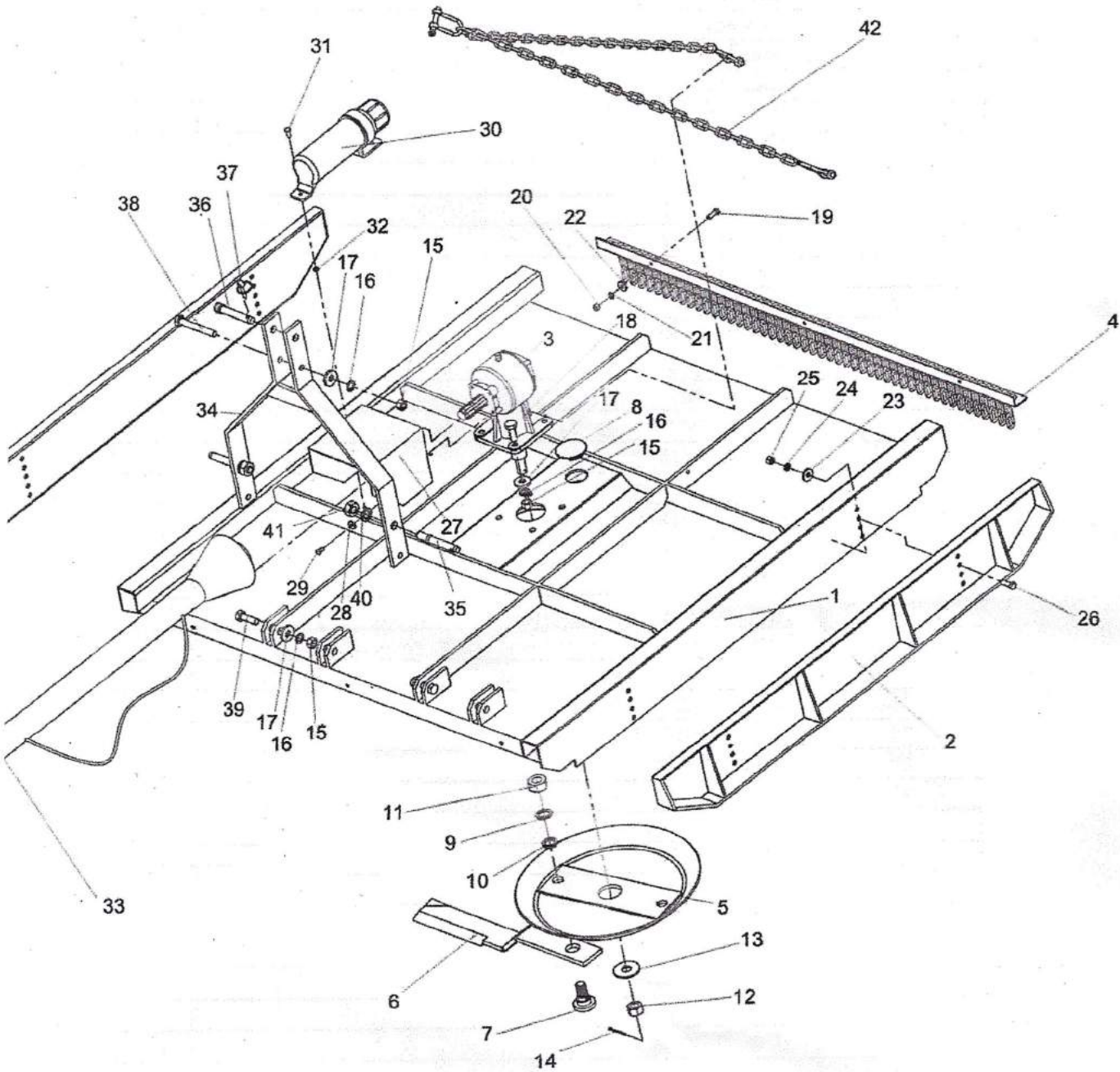
Rear mount rotary cutter

INSTRUCTION MANUAL



Due to continuing improvements, actual product may differ slightly from the product described herein.

ROTARY CUTTER PARTS DIAGRAM



ROTARY CUTTER PARTS LIST

Parts No.	Description	Q' ty
1	Main Body	1
2	Skid Plate	2
3	Gear Box	1
4	Rear Chain Guard	1
5	Blade Carrier Saucer	1
6	Cutting Blade	2
7	Blade Bolt	2
8	Rubber Cap	1
9	Lock Washer 27	2
10	Flat Washer 27	2
11	Hex Nut M27	2
12	Hex Nut M28	1
13	Flat Washer 30	1
14	Cotter Pin ϕ 5	1
15	Hex Nut M16	7
16	Lock Washer 16	7
17	Flat Washer 16	7
18	Hex Bolt M16 x 45	4
19	Hex Bolt M10 x 30	3
20	Hex Nut M10	3
21	Lock Washer 10	3
22	Flat Washer 10	3
23	Flat Washer 12	8
24	Lock Washer 12	8
25	Hex Nut M12	8
26	Hex Bolt M12 x 35	8
27	Metal Shield Cover	1
28	Flat Washer 8	4
29	Hex Bolt M8 x 12	4
30	Manual Holder	1
31	Hex Bolt M8 x 20	2
32	Lock Nut M8	2
33	PTO Driveline	1
34	Lift Arm	1
35	Hitch Pin	2
36	Center Hitch Pin	1
37	Lynch Pin	1
38	Hex Bolt M16 x 120	1
39	Hex Bolt M16 x 55	2
40	Lock Washer 22	2
41	Hex Nut M22	2
42	Drag Chain	1